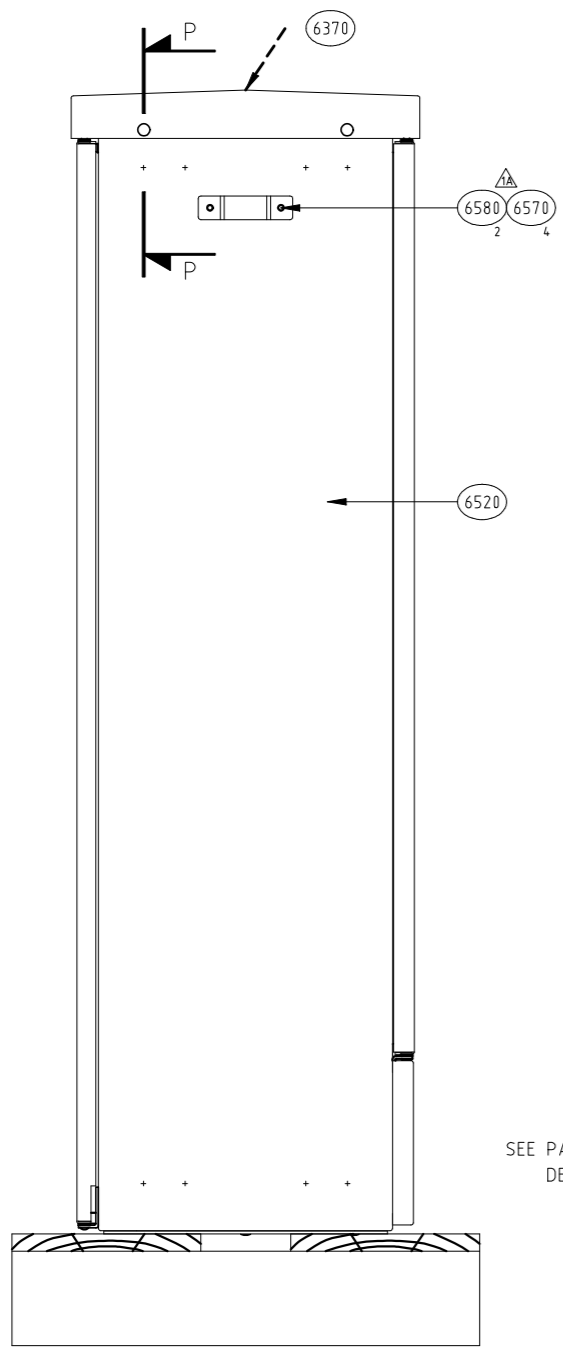
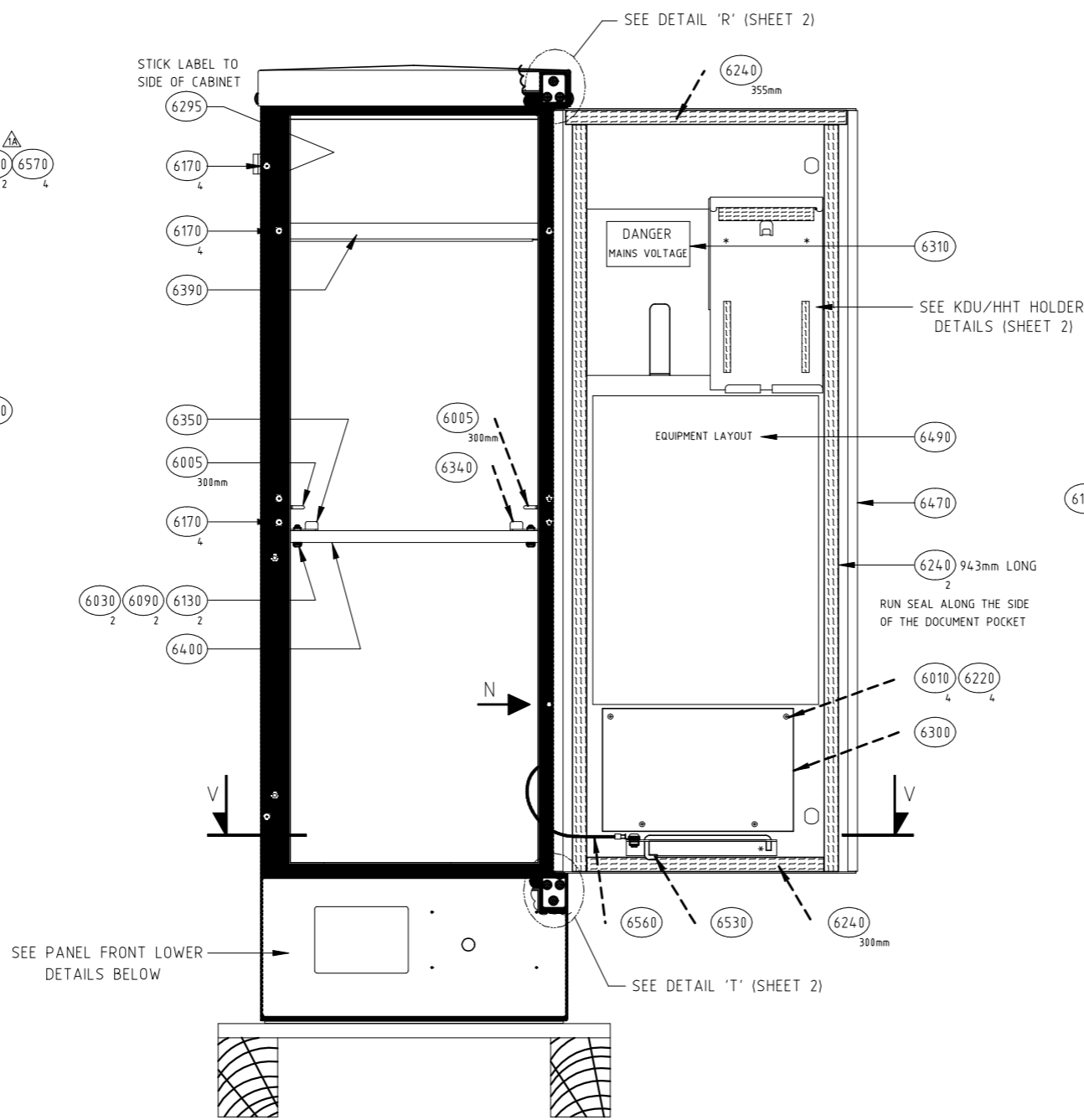


21/05/2007 10:05:20 AM X:\CIVIL STANDARD DRAWINGS\TRAFFIC 6 - CIS1500 SERIES STANDARDS\CIS1511 - TRAFFIC CABINET DETAILS (FOR INFO ONLY).dgn

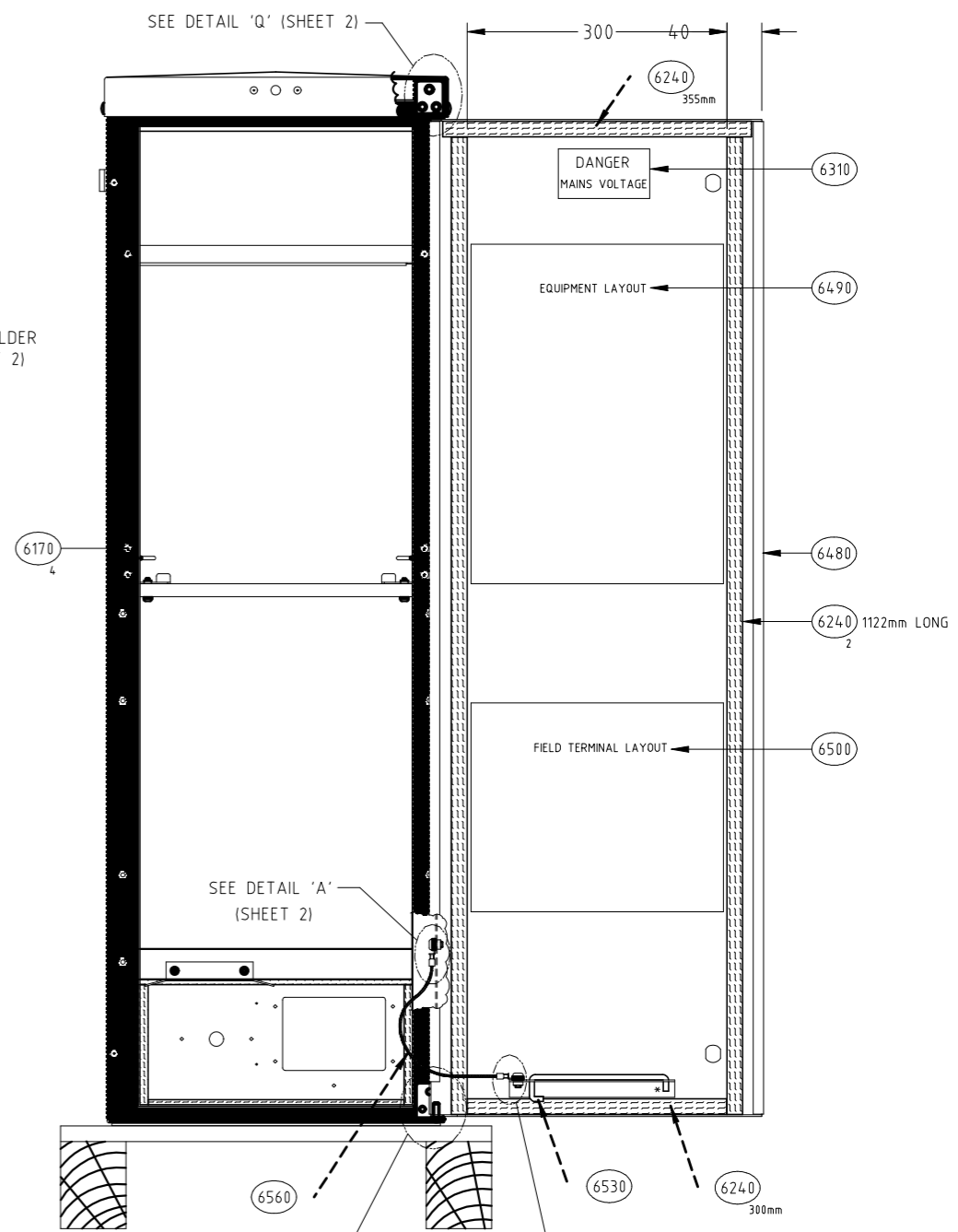


LEFT SIDE VIEW



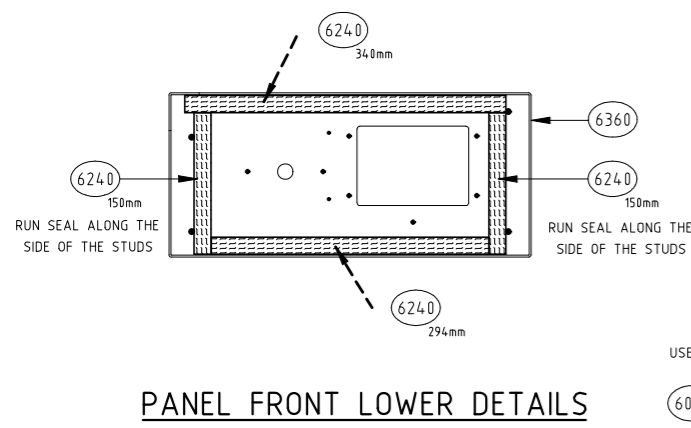
FRONT VIEW

(REAR DOOR NOT SHOWN)

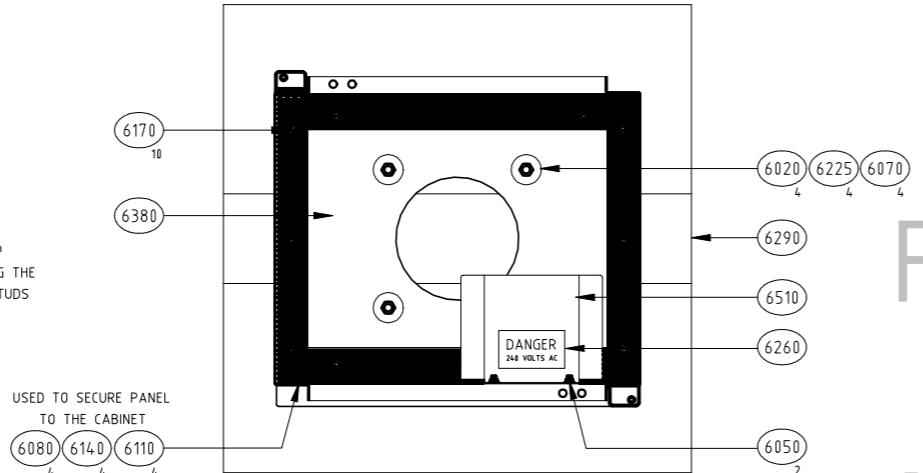


REAR VIEW

FRONT DOOR NOT SHOWN



PANEL FRONT LOWER DETAILS



SECTION V - V

(DOORS NOT SHOWN)

6170 10 POP RIVETS USED TO FIX EQUIPMENT PLATE TO CABINET.

FOR INFORMATION ONLY
TRAFFIC CABINET DETAILS
C(S)1511
DETAILS DREIVED FROM
DRG. NO. 01145-110-1R1A